

Projector Protector



Note: Projector Not Included

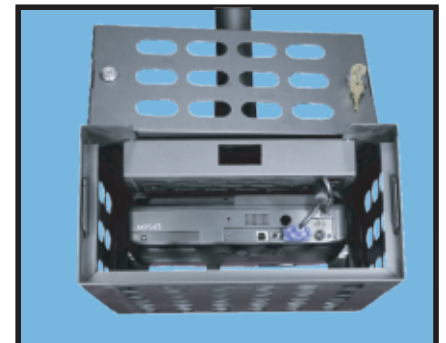
Attach to Grid Plate



Slide in, Close, & Lock



Accessible from Back



Features

- Projector Enclosed by Locking Metal Cage
- With Integrated LCD LOC II Mount
- Front and Rear Access
- Key Lock Security, Front & Rear
- Precision Adjustment by Hand
- Tilt, Pitch & Roll - 15 degrees
- Swivel - 360 degrees
- Four Patented Flex Feet
- Cable Management
- Color - Black Powder Coat

Benefits

- Safe and Secure
- Versatile
- Cost Effective
- Ease of Use
- Quick Setup
- Ease of Installation
- Use in Gyms, Auditorium, or Public Areas
- Ships Fully Assembled

Projector Protector with Loc II



LOC II Specs

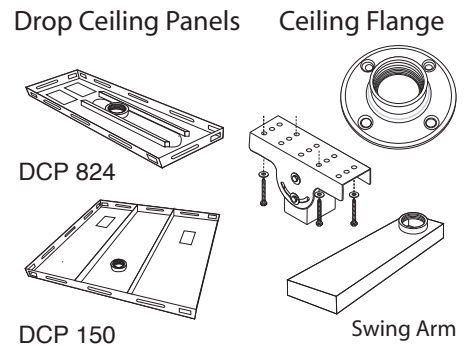
Projectors	Part #
Epson	LOC II - E
Hitachi	LOC II - H
Eiki	LOC II - EIK
Infocus	LOC II - I
Mitsubishi	LOC II - M
NEC	LOC II - N
Panasonic	LOC II - P
Sanyo	LOC II - S

Universal and Specific Sizes

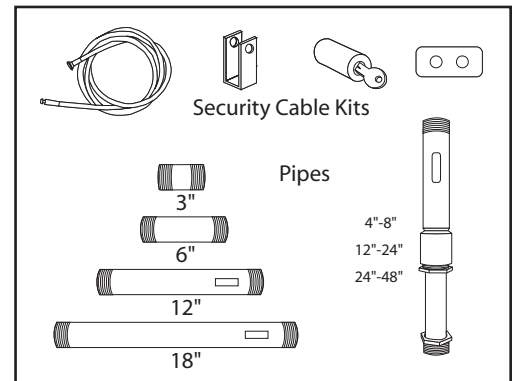
- Standard - 14.4" x 12.2" x 4.5" (WxDxH)
- Mini - 8.5" x 11"
- Mini Wide - 11" x 8.5"
- Small - 12.4" x 13.7"
- Small Wide - 14.4" x 12.3"
- Medium - 16.3" x 17.7"
- Medium Wide - 17.7" x 16.3"
- Large - 21.3" x 24.3"

- Uses 1.5" Pipe
- Weight Capacity - 50lbs (UL Rated)
- Shipping Weight - 35lbs

Accessories



Accessories



***Note: Special Order**